

SPECIALIZED FOR MECHANICAL CONVEYORS

# WAMAIR® SPOT series Dust Collectors for Mechanical Conveyors



CERTIFIED  
ATEX version  
available

# INTELLIGENT SOLUTIONS TO ALL KINDS OF DUST ISSUES

WAMAIR® SPOT series is a Polygonal Dust Collector range that comes in a stainless steel housing equipped with high performance POLYPLEAT™ or POCKET-type filter elements.

Designed specifically with ergonomic considerations and equipped with an integrated suction fan, WAMAIR® SPOT can be seamlessly incorporated into mechanical conveying systems across various industries:

- Crushing, Mining, Quarry, Screening, Micronizing Plants
- Glass Processing
- Port Technology
- Cement, Lime, Gypsum, Minerals, Refractory Products Processing
- Flour Milling and Animal Feed

WAMAIR® SPOT Dust Collectors are provided with hydro-oil repellent filter media to achieve optimal performance in all kinds of dedusting applications.



## Features

### PERFORMANCES

- Air volume: from 500 to 5,500 m<sup>3</sup>/h and over
- Filtering surface: 6 ~ 70 m<sup>2</sup>
- Temperature range: -20°C ~ 80°C

### CLEANING SYSTEM

- High efficiency compressed air cleaning system with FILCONTROL Connect and differential pressure meter
- “Full Immersion” solenoid valves, integrated into air tank to minimize flow resistance

### SOLUTIONS

- Available both with POCKET and POLYPLEAT™ filtering elements to comply all needs
- Hydro Oil repellent filter media made of 100% polyester (high mechanical resistance)
- Compact design and light weight
- Inspection door with captive fastening knobs for easy and safe access for filters replacement

## Benefits



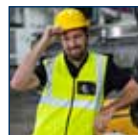
**RELIABLE, VERSATILE and DURABLE** for a variety of dusts and applications thanks to stainless steel body



**LOW EMISSION LEVEL** due to WAM filter elements (certified performances)



**LOW compressed AIR CONSUMPTION** and **HIGH CONNECTIVITY** with **FILCONTROL CONNECT**



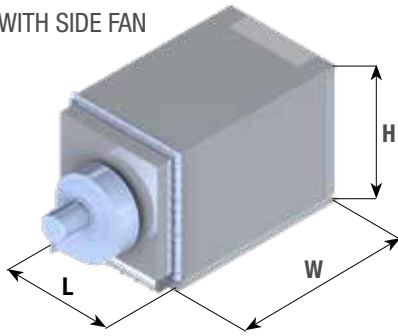
**QUICK and SAFE FILTER element REPLACEMENT** from clean air side and maintenance height in user-friendly design



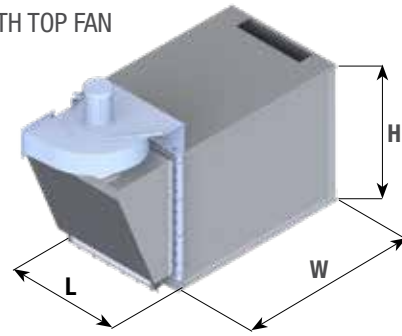
**WORLDWIDE after sales service/spare parts** by WAM subsidiaries

# Overall Dimensions and Performances

WITH SIDE FAN



WITH TOP FAN

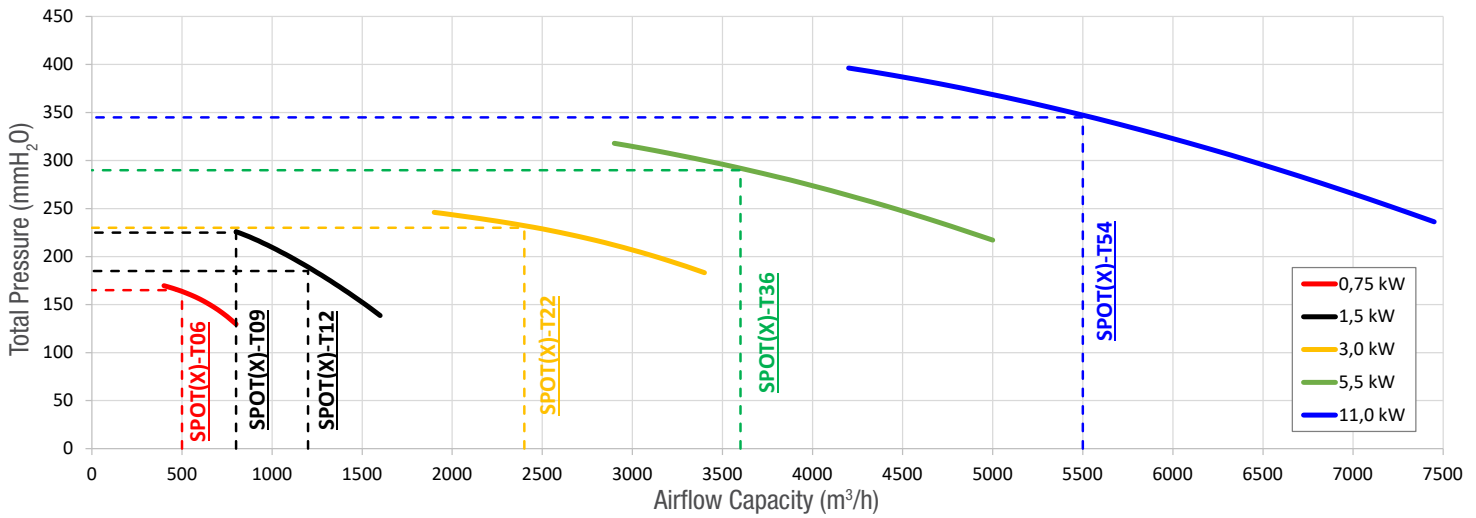


## WITH POCKET FILTER ELEMENTS



TYPE	Nominal Performance				Dimension							Standard version Order Code	ATEX version Order Code
	sqm	kW	Nm <sup>3</sup> /h	Pa	Pocket L mm	Pocket n°	Row n°	EV n°	L mm	W mm	H mm		
SPOT(X)-T06	6	0.75	500	1,700	1,000	6	1	3	570	1,200	825	FPHT306FFV1CVL1A	FPXHT306FFB1CVL1A0
SPOT(X)-T09	9	1.5	800	2,200	1,000	9	1	5	845	1,200	825	FPHT809FFV1CVL4A	FPXHT809FFB1CVL4A0
SPOT(X)-T12	12	1.5	1,200	1,850	1,000	12	2	3	570	1,200	1,320	FPHTD12FFV1CVL4A	FPXHTD12FFB1CVL4A0
SPOT(X)-T22	22	3.0	2,400	2,300	1,250	18	2	6	845	1,450	1,320	FPHTM22FFV1CVL6A	FPXHTM22FFB1CVL6A0
SPOT(X)-T36	36	5.5	3,600	2,900	1,500	24	2	12	1,065	1,700	1,320	FPHTT36AFV1CVL8A	FPXHTT36AFB1CVL8A0
SPOT(X)-T54	54	11.0	5,500	3,250	1,500	36	3	12	1,065	1,700	1,815	FPHTU54AFV1CVLBA	FPXHTU54AFB1CVLBA0

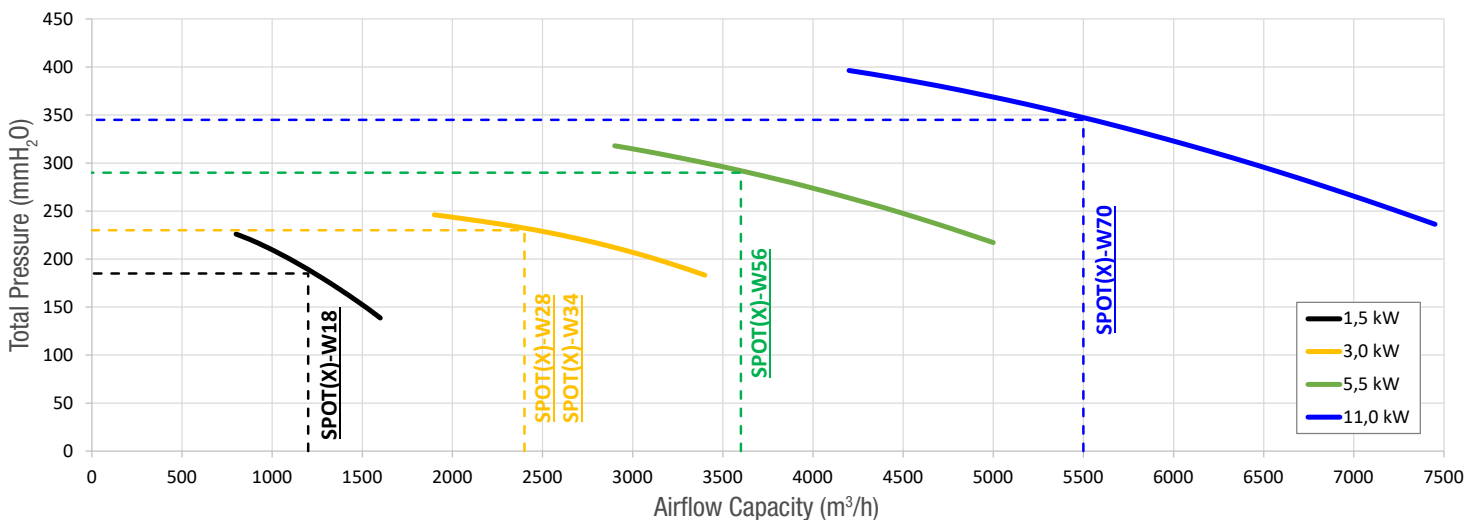
On request FB media for standard version is available



## WITH POLYPLEAT™ FILTER ELEMENTS



TYPE	Nominal Performance				Dimension							Standard version Order Code	ATEX version Order Code
	sqm	kW	Nm <sup>3</sup> /h	Pa	Pocket L mm	Pocket n°	Row n°	EV n°	L mm	W mm	H mm		
SPOT(X)-W18	18	1.5	1,200	1,850	920	5	1	3	570	1,200	825	FPHW318FPV1CVL4A	FPXHW318FPB1CVL4A0
SPOT(X)-W28	28	3.0	2,400	2,300	920	8	1	4	845	1,200	825	FPHW828FPV1CVL6A	FPXHW828FPB1CVL6A0
SPOT(X)-W34	34	3.0	2,400	2,300	920	10	2	6	570	1,200	1,320	FPHWD34FPV1CVL6A	FPXHWD34FPB1CVL6A0
SPOT(X)-W56	56	5.5	3,600	2,900	920	16	2	8	845	1,200	1,320	FPHWL56APV1CVL8A	FPXHWM56APB1CVL8A0
SPOT(X)-W70	70	11.0	5,500	3,250	920	20	2	10	1,065	1,200	1,320	FPHWR70APV1CVLBA	FPXHWS70APB1CVLBA0





# Application



00000000 June 2024 Rights reserved to modify technical specifications.



This brochure has been edited for distribution in European Union countries.



[www.wamgroup.com](http://www.wamgroup.com)