

SlideOut Rotary Valves REC / RES

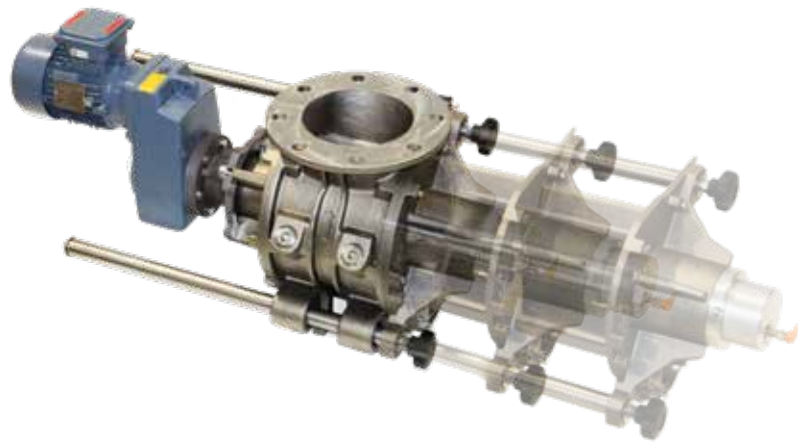


PRECISION FEEDING FOR POWDERS AND GRANULES WITH TROUBLE-FREE CLEANING

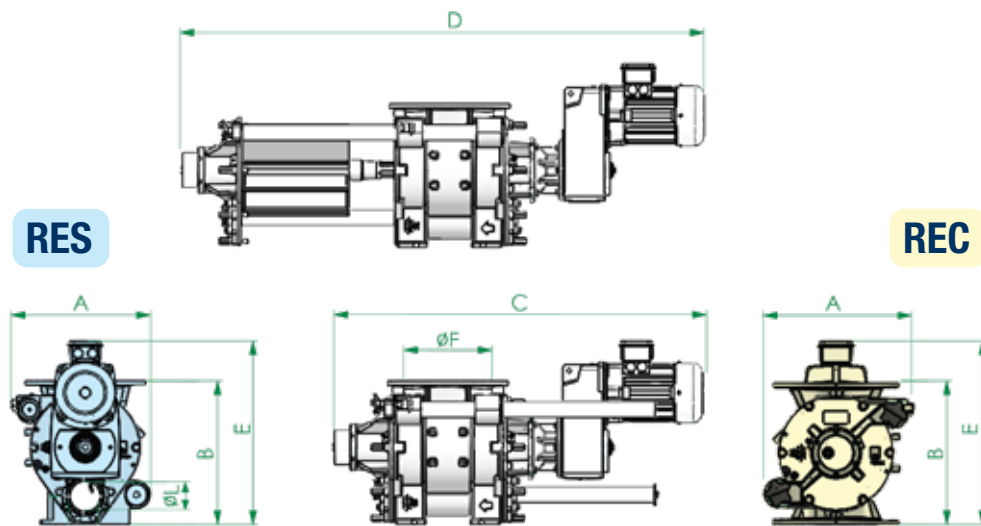
SlideOut Rotary Valves are engineered with a continuously revolving rotor featuring two compartments, both of which are filled with material simultaneously via the top inlet. The valves come in two distinct versions: REC and RES.

The **REC Drop-through SlideOut Rotary Valve** is equipped with a circular inlet and outlet. The material fed by the rotor falls by gravity through the lower outlet into a container or onto a downstream conveying system for further processing.

With the **RES Blow-through SlideOut Rotary Valve** also featuring a circular inlet flange and an outlet pipe connection on the bottom on both sides, after less than half a rotor revolution, the material is discharged and channelled into an air flow within a pneumatic conveying line.



Overall Dimensions



TYPE	A	B	C	D	E	ØF	ØL	kg
REC 05	360	356	950	1,300	445	165	-	140
REC 10	370	371	1,000	1,450	455	220	-	165
REC 20	470	439	1,250	1,750	470	270	-	280
REC 35	580	525	1,350	1,950	630	320	-	445
RES 05	360	369	950	1,300	460	165	64	125
RES 10	370	384	1,000	1,450	470	220	80	145
RES 20	470	469	1,250	1,750	600	270	100	275
RES 35	580	532	1,350	1,950	640	320	125	425

Dimensions in mm

Benefits



Simple, safe and cost-effective maintenance



Durable, long-lasting and space-efficient



Flexible in handling of different types of materials





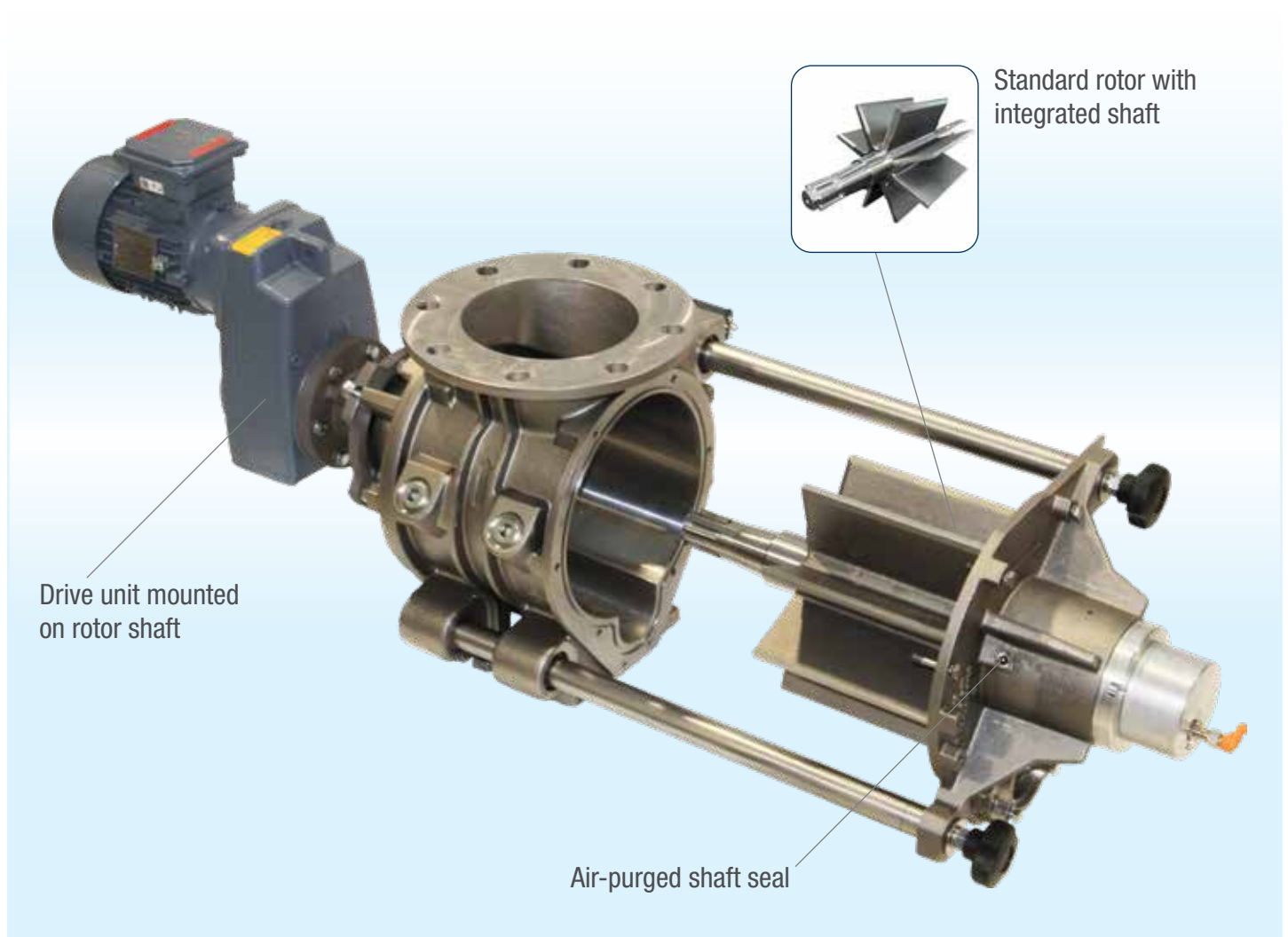
Preserves physical properties of material handled



Technical support and worldwide availability of spare parts thanks to WAMGROUP® subsidiary network

Technical Features

- Feed rate: 5-10-20-35 litres per revolution (0.17-0.35-0.70-1.2 cu ft/rev) for 2", 3", 4" and 5" conveying pipes
- Working temperature: -40 ~ 150 °C (-40 ~ 302 °F)
- Working pressure: up to 1 bar (14 psi)
- Casing: 316 SS
- EN 1092-1 PN 10 Flanges (DIN 2576)
- Sturdy and compact structure
- Various finishing options available
- EC 1935/2004-certified materials 
- ATEX 20/22 certification 



Industries



Animal Feed Milling



Food Processing



Plastics Processing



Chemicals



Paint and Varnish Processing



Pet Food



Cosmetics



Pharmaceuticals



October 2024 Rights reserved to modify technical specifications.

This brochure has been edited for distribution in European Union countries.



WAM®



TOREX®



MAP®



EXTRAC®



WAM® AIR



WAM® VALVES



SILOFAB™



SAVECO®

